

Multi-Species Freestanding Display

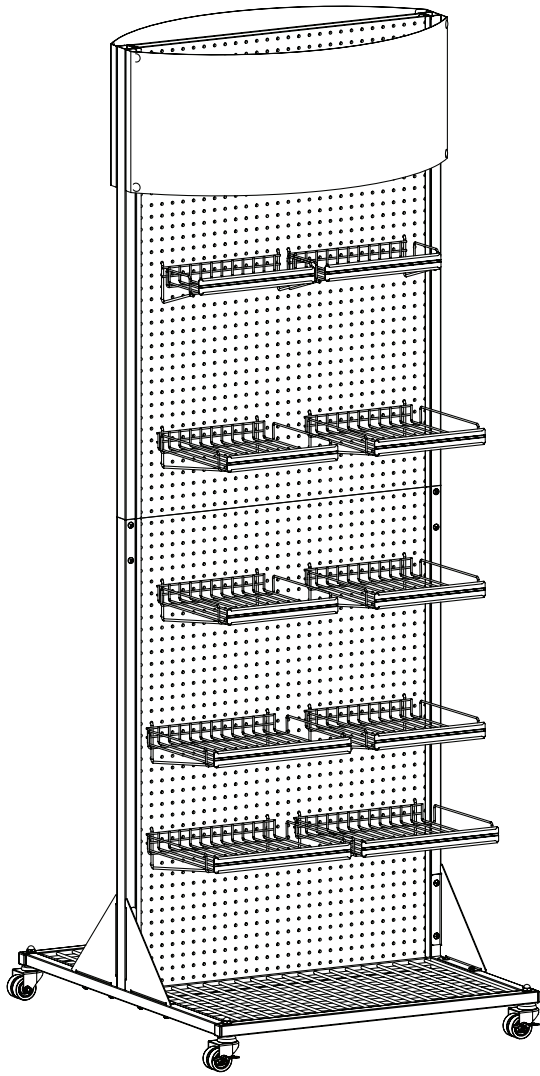
ASSEMBLY INSTRUCTIONS



Side A



Side B



HARDWARE COMPONENTS:



2" Machine screw (12)



1-3/8" Machine screw (8)



Plastic screw (12)



Acorn nut (4)



Washer (4)



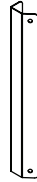
1/4" nut (20)



Locking Caster (2)



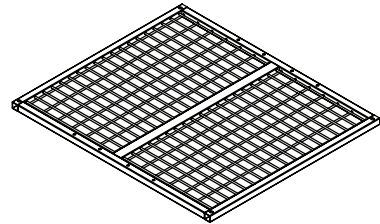
Caster (2)



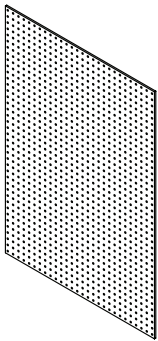
Header bracket (4)



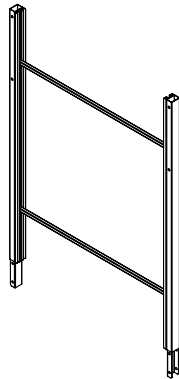
Gusset plate (4)



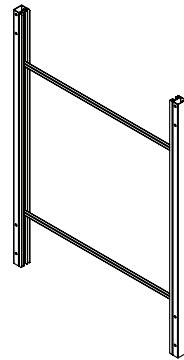
Base assembly (1)



Pegboard (4)



Upright top assembly (1)



Upright bottom assembly (1)

GRAPHIC COMPONENTS:

Product merchandiser signage (14)

Vaccine box panel (1)

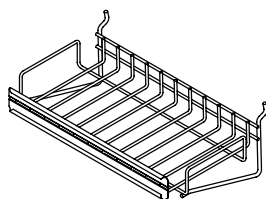
Vaccine information panel (1)

Vaccine information panel hangers (2)

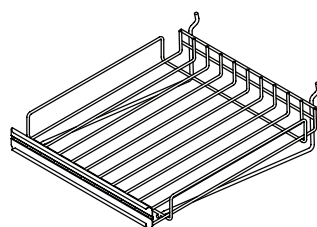
Header sign (2)

2" peg hooks (14)

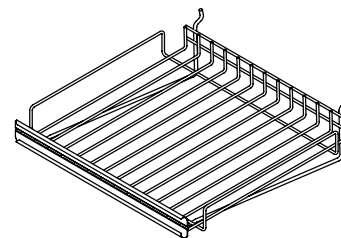
Vaccine proxy cards (14)



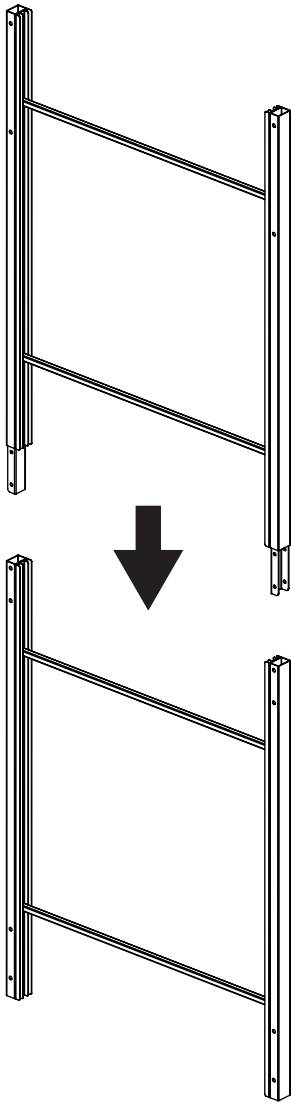
Small shelf (2)



Medium shelf (5)

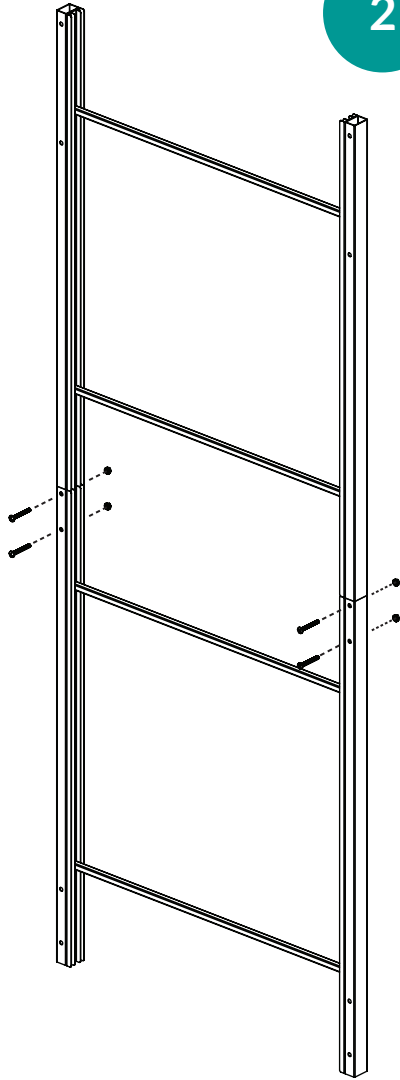


Large shelf (3)



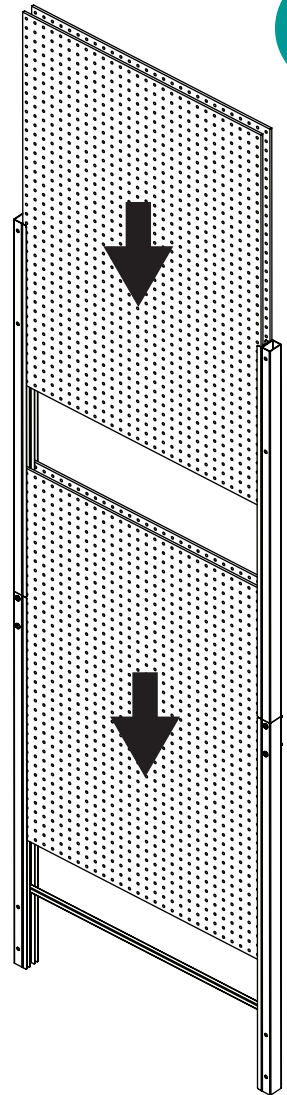
1

Step 1: Slide upright top assembly into the upright bottom assembly. Ensure that the holes align through the tubes.



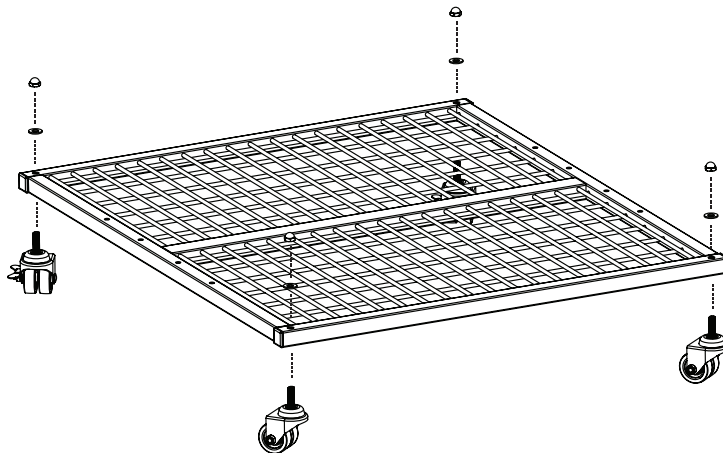
2

Step 2: Insert (4) 2" machine screws through the holes as shown above. Tighten (4) 1/4" nuts to ensure tight connection.



3

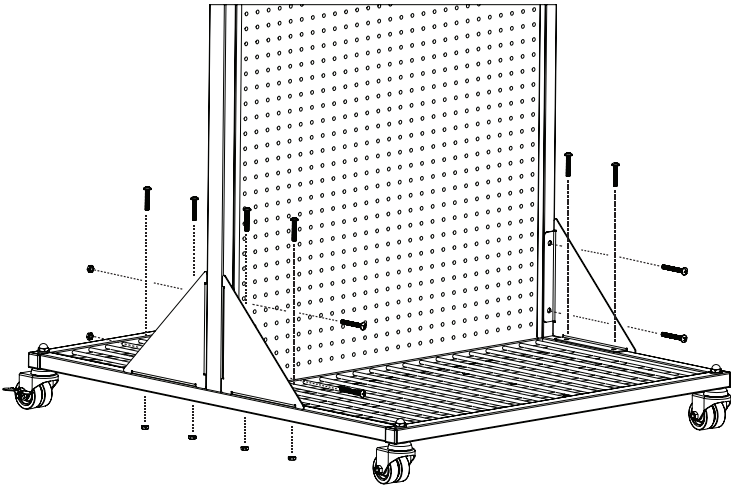
Step 3: Slide both pegboards into designated channels of the upright assembly. Ensure that the painted sides of the pegboards are facing out.



4

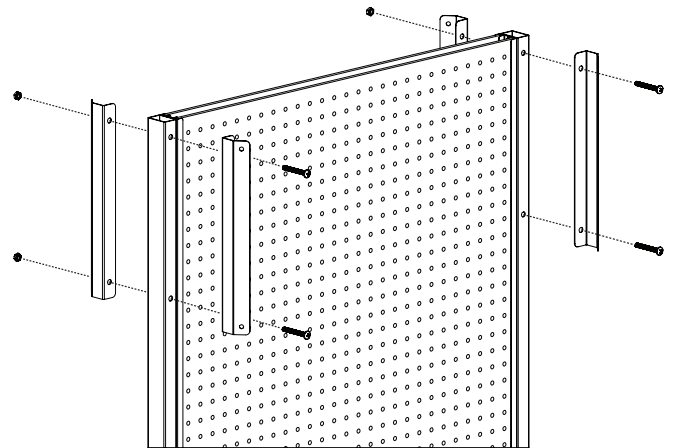
Step 4: Attach casters to base assembly using (4) 3/8" flat washers and (4) 3/8" x 16 acorn nuts.

5



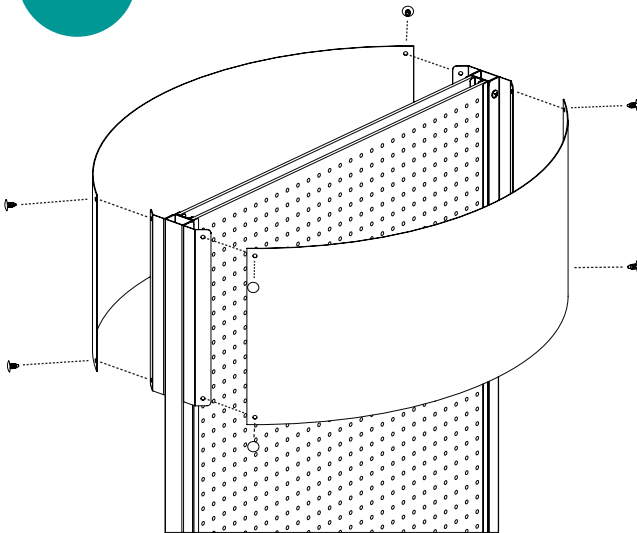
Step 5: Attach gusset plates to the base and upright assembly as shown in illustration above. Use (4) 2-1/2" machine screws for upright assembly and (8) 1-3/8" machine screws for the base. (12) 1/4" nuts are needed for this step.

6



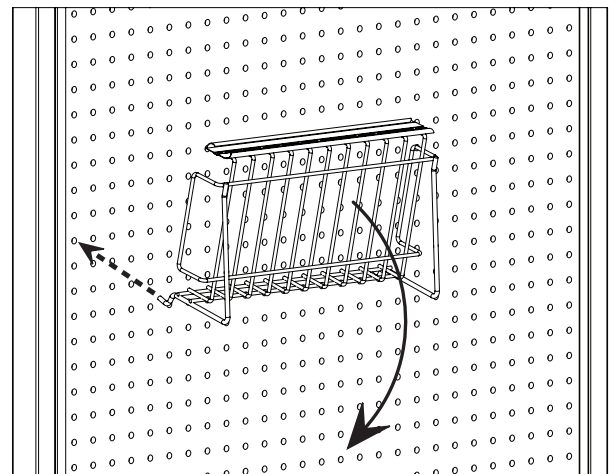
Step 6: Attach header sign brackets to each side of the top of upright assembly. Use (4) 2-1/2" machine screws and (4) 1/4" nut.

7



Step 7: Install header sign using (8) clear plastic screws provided. Align the holes of the header sign and the header brackets then insert the plastic screws through both holes.

8



Step 8: MUST START WITH BOTTOM SHELF.

Install shelf peg wire into a hole on the pegboard. Once both peg wires on the shelf are through the pegboard, allow the shelf to swing down as shown in the illustration above. Repeat this step until all shelves are installed.

SIDE A



- 9 Step 9: Insert Goat Dewormer signage
- 10 Step 10: Insert Canine Dewormer signage
- 11 Step 11: Insert Panacur® POWERPAC equine dewormer signage
- 12 Step 12: Insert Implants signage
- 13 Step 13: Insert Panacur® Equine Dewormer signage
- 14 Step 14: Insert Safe-Guard® Equine Dewormer
- 15 Step 15: Insert Safe-Guard® Equi-Bits
- 16 Step 16: Insert Safe-Guard® Equine Dewormer
- 17 Step 17: Insert External Parasites
- 18 Step 18: Insert Safe-Guard® Pellet Dewormer
- 19 Step 19: Insert Safe-Guard® 5 lb Pellets
- 20 Step 20: Insert Safe-Guard® 10 lb Pellets
- 21 Step 21: Insert Safe-Guard® 290 g Paste

RECOMMENDED PRODUCTS

Ralgro® Implant Single Spool	Safe-Guard® 290 g Paste	Safe-Guard® Equi-bits®
Ralgro® Implant Gun	Safe-Guard® Paste Gun	Panacur® 25 g Paste
Safe-Guard® Goat Dewormer	Ultra Boss® Quart	Safe-Guard® 25 g Paste
Safe-Guard® Blocks	Dominator® Ear Tag	Safe-Guard® 92 g Paste
Safe-Guard® 1 lb Pellets	Safe-Guard® Canine 1 g	Panacur® POWERPAC
Safe-Guard® 5 lb Pellets	Safe-Guard® Canine 2 g	
Safe-Guard® 10 lb Pellets	Safe-Guard® Canine 4 g	

SIDE B



22

Step 22: Attach vaccine information panel with (4) plastic screws

23

Step 23: Assemble vaccine proxy card box and attached with vaccine panel hangers

24

Step 24: Insert 2" peg hooks in provided holes and hang vaccine proxy cards

25

Step 25: Hang (14) versions of the vaccine proxy cards on the 2" peg hooks (10 vaccine proxy cards per hook)

26

Step 26: Insert Safe-Guard® 25 lb Block signage